

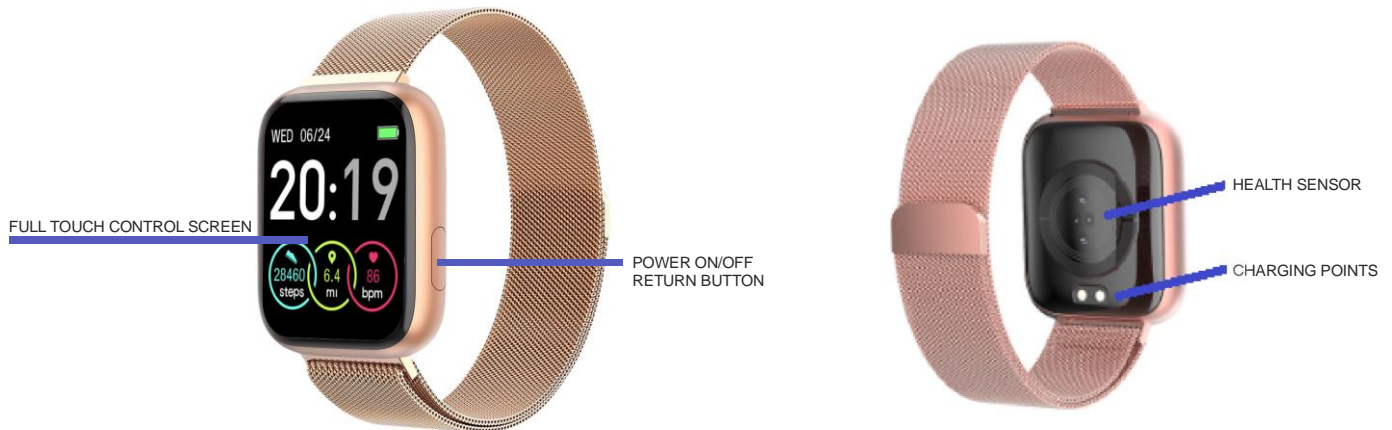
Sami[®]

WEARABLE
User Manual
WS-2339

FIT PLUS SMART BAND

Thank you for purchasing the **Sami** wearable WS-2339. Read the instructions carefully to obtain optimum results and preserve it for future reference. **Sami** has developed wearable devices since 2015 and we use the best components possible for the product.

DESCRIPTION OF THE WEARABLE.

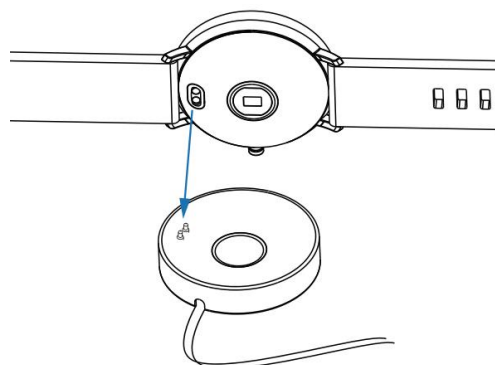


CONTENTS.

Wearable, USB magnetic SEAT cable, instruction manual.

CHARGING.

Connect the device to a computer or laptop with the USB Magnetic SEAT cable for charging. Put in contact the magnetic SEAT of the usb cable with the charging points positioned in the back of your device. Kindly use only the USB cable included with the wearable. If you use a power adapter for charging, the output of the power adapter should be 5V, 1A. Charging time: 2 hours. Please charge the device fully before using it.



HOW TO POWER ON / POWER OFF?

- 1) To turn ON the smart band, long press the Power On/Off button for few seconds to make it Power On.
- 2) To turn OFF the smart band, long press the Power On/Off button for few seconds to make it Power Off; or on the Touchscreen, tap and slide from bottom towards upper side until the More icon displays, tap it to enter and tap & slide up/down find the Power Off icon, tap the Power Off icon and select Yes to make it Power Off.

HOW TO CONTROL?

- 1) On the display screen(touchscreen), short tap the touchscreen to select, long press to enter; tap and slide left/right/up/down to change between the different menu pages.
- 2) Short press the Power On/Off button to return. Long press the Power On/Off Button to make it Power On/Off.

GETTING STARTED:

- For Android

1) How to obtain the BT Connection APK (**DA FIT**)

Search for the **DA FIT APP** in the Play Store; download it and install it in your Android smartphone, or go to our **website** www.sami.es and download the application.

2) Installation of the **DA FIT** APK.

When installing the **DA FIT** application on your Android, you must allow all the Application Permissions, allow this **DA FIT** app auto run.

The first time you run this **DA FIT**, it will ask you to Enable Notifications, please tap OK and tap the **DA FIT** and confirm OK. You must tap OK/Allow/Pair/Yes/Confirm for any pop-up request. On your Android permission management, allow all application permissions.

3) How to make the wearable pair with your Android smart phone

*First, turn on the Bluetooth of your Phone.

*Second, run the **DA FIT** app on your Phone, on the home page of **DA FIT**, select "**TO ADD**", the APP will search for new Bluetooth device(s), when the available Bluetooth device displays, please select **P4 or WS-2339** (the BT name of this device) to make it pair. The pairing will be finished in a few seconds. When you pair for the first time, the app **DA FIT** will ask you to fill some personal information such as gender/age/height/weight. When you finish select OK/Confirm/Allow for any pop-up request.

* Now you can start using your desired functions of the smart band.

Important: To enable all notifications of different softwares such as WhatsApp, Facebook, Skype, Twitter, you may need to turn on the notifications on the APP manually. On the **DA FIT** homepage, select the Settings icon (middle icon situated at the bottom of the interface) → then select notifications, → and turn on all the APP notifications you want to active.

- For iPhone

1) How to obtain the BT Connection APP? (**DA FIT**)

On iPhone, please go to APP Store and search **DA FIT** and install the app.

2) How to make the wearable pair with your iPhone

*First, turn on the Bluetooth of iPhone

* Run the **DA FIT** app on the iPhone, on the home page of **DA FIT**, tap "**ADD A DEVICE**" the APP will search for new Bluetooth device(s), when the available Bluetooth device displays, please tap **P4 or WS-2339** (the BT name of this device) to make it pair. The pairing will be finished in few seconds. When you pair for the first time, the app **DA FIT** will ask you to fill some personal information such as gender/age/height/weight. When you finish select OK/Confirm/Allow for any pop-up request.

* Now you can start using your desired functions of the smart band.

Important: To enable all notifications of different softwares such as WhatsApp, Facebook, Skype, Twitter, you may need to turn on the notifications on the APP manually. On the **DA FIT** homepage, select the Settings icon (middle icon situated at the bottom of the interface) → then select notifications, → and turn on all the APP notifications you want to active.

PRODUCT FEATURES

BLUETOOTH (V 4.2)

TOUCH BUTTON

FULL TOUCH SCREEN. Capacitive touch screen 1.4"

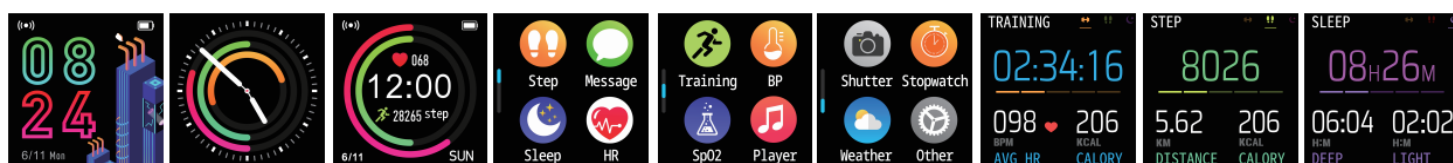
BUILT IN VIBRATING MOTOR

BUILD IN HEART RATE SENSOR

BUILD IN GRAVITY SENSOR

GESTURE CONTROL TO LIGHT UP THE DISPLAY SCREEN (Quick View)

DISPLAY SCREEN INTERFACE



- 1) Time/Date/Battery
- 2) Steps (Pedometer) – including Steps, Distance, Calories
- 3) Sleep monitor
- 4) Message
- 5) Heart rate monitor – long press to start testing
- 6) Training(Sports) – including Walking/Running/Cycling/Rope Skipping/Badminton/Basketball/Football.
- 7) Blood Pressure
- 8) Blood Oxygen (SPO2) test
- 9) Music Player control
- 10) Shutter(remote camera)
- 11) Stopwatch
- 12) Weather
- 13) More (Other functions) – Mute /Brightness /Switch Style(change the home screen interface) /Reset /Power Off
- 14) Training (sports) data
- 15) Steps (pedometer) data
- 16) Sleep monitor

NOTE: If the weather does not appear on the smart device after the Bluetooth pairing, please set your weather city at the Da Fit APP, then restart the smart device.

- 17) Alarm Clock – Support to set it at the **DA FIT** APK/APP.
- 18) Find device – Support at the **DA FIT** APK/APP. Find it at the OTHERS at Da Fit.
- 19) Sedentary reminder(reminders to move) - Support at the **DA FIT** APK/APP.
- 20) Quick View at the Da Fit APP. - This menu is for setting of Raise hand to light up the display screen.

Data can be sync from the wearable to the smart phone on the **DA FIT** APK/APP.
Your smart phone will synchronized when the Bluetooth is paired with this device.

FUNCTIONS

PHONE CALL NOTIFICATION - vibrating reminder for incoming phone calls

MESSAGE NOTIFICATION - vibrating reminder for incoming messages, including SMS, WhatsApp, Facebook, Twitter, Skype messages, etc.

CLOCK SCREENS (Different home digital clocks) – More Clocks can be downloaded at the DA FIT APK/APP

SLEEP MONITOR - supported.

ALARM CLOCK - supported on the DA FIT APK/APP

SEDENTARY REMINDER(REMIND TO MOVE) - supported on the DA FIT APK/APP

FIND THE DEVICE (Looking for the SMART BAND) - supported on the DA FIT APK/APP

GESTURE CONTROL (Quick View) (Raise your hand to light up the screen. Before using this function, you need to make the adjustment on the smart phone APP)

GPS MAP TRACE (view it on the BT APP/APK DA Fit). On the home page of the Da Fit, scroll down and select Outdoor running, tap Start, select the Map icon (this icon is on the right bottom of the screen), to view the map. On the home page of the Da Fit, scroll down and select Outdoor running, tap the history record icon(this icon is situated on the right top of the screen) to view the GPS trace history.

MULTIPLE LANGUAGES - supported on the DA FIT APK/APP

GOAL TRACKING- supported on the DA FIT APK/APP

****** THIS IS NOT A MEDICAL INSTRUMENT, SO THE VALUES ARE APPROXIMATE**

TECHNICAL SPECIFICATIONS:

Display screen: Full screen capacitive touch screen 1.4".

Screen resolution: 240RGBx240 pixels.

Internal Memory: RAM 64KB, ROM 32MBit

System: Nucleus

CPU: Nordic NRF52832 QFAA

Charge I/O port : USB magnetic SEAT charging cable

Battery: Built in Li-Polymer 170 mAh

Stand by time: 7~10 DAYS

Working time: 5 DAYS

Bluetooth: v4.2

Water-resist Rating: IP67 (raindrop resistance. This device is not waterproof; do not drown it into water)

Weight: 33.5 g

Declaration of Conformity

Hereby we,

Name of manufacturer: SANTOSHI SL
Address: CALLE FELIPE ASENJO N.56
Zip code & City: 28947 - FUENLABRADA (MADRID)
Country: SPAIN

declare that this DoC is issued under our sole responsibility and that this product:

Product description: Smart Band
Type designation(s): WS-2339
Trademark: SAMI WEARABLE

is in conformity with the relevant Union harmonization legislation:

DIRECTIVE EMC 2014/30/EU
DIRECTIVE LVD 2014/35/EU

Standard CE (RED): DIRECTIVE 2014/53/EU

Standard RoHS: 2011/65/EU: (RoHS) Restriction of Hazardous Substance.

with reference to the following standards applied:

EN 60950-1: 2006+A11:2009+A1:2010+A12:2011+A2:2013

EN 62479:2010

EN 301 489-1 V2.1.1 (2017-02)

EN 301 489-17 V3.1.1 (2017-02)

EN 300 328 V2.1.1 (2016-11)



Signature

Full name: VISHAL MIRPURI

Position: ADMINISTRATOR

Date: 04 / 12 / 2019